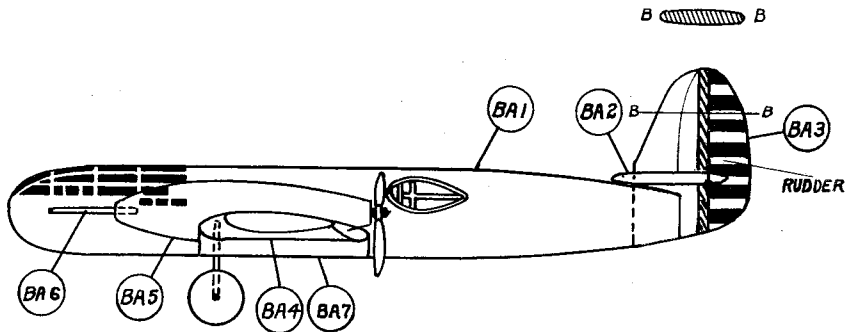
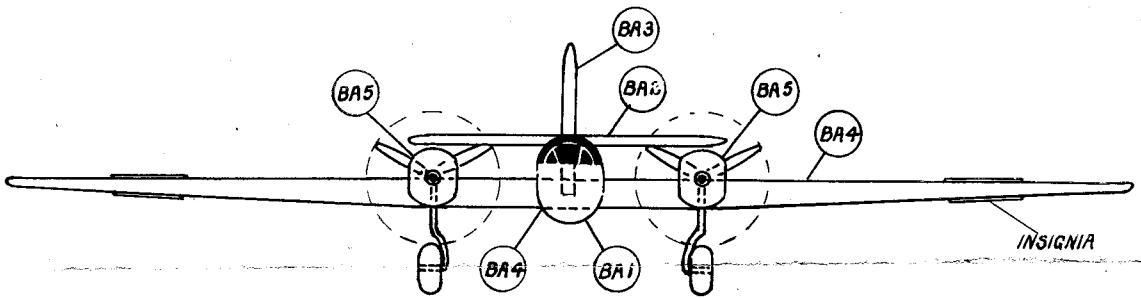


# SIMPLE ASSEMBLY INSTRUCTIONS FOR BELL AIRACUDA XFM-1



Read instructions through, and compare all parts with the drawing before you start to assemble this model. You will be much more pleased with the finished result if you follow instructions in the order in which they are given. Mix only a small quantity of the glue at a time. It is not necessary to use glue clamps when assembling StromBeckKer Models.

Sand fuselage (BA1) all over carefully. Glue horizontal tail piece (BA2) to vertical tail piece (BA3) and assemble both to fuselage. (Assemble so that the cut-out on fuselage is on under side.) After glue is thoroughly dry, sand the parts to shape, rounding the edges as shown in the cross-sections AA and BB on drawings, with coarse sandpaper. Finish with the fine sandpaper.

Glue on wing (BA4) and be careful to get it square with fuselage and in the center. Sand the wing to shape as shown at cross-section CC on drawing. Round off front and rear edges

with coarse sandpaper and finish with fine sandpaper.

Nail propellers onto rear of engine nacelles (BA5). Taper dowel at both ends for about 7/16 inch and cut in half. Glue the two parts into holes in front ends of engine nacelles, with tapered ends out.

Assemble engine nacelles to wing as shown on drawing.

Glue on filler block (BA7) under the wing. Sand joints after glue has dried.

Assemble the two wires to landing gear wheels. Put a little glue in the holes under-  
(Over)

All sets are carefully packed, but if you find a shortage or defective part, fill out this slip and we will send it without cost.

Part numbers will be found on drawings. Model number is on flap at end of carton.

(Write plainly)

Part Number.....Model Number C 5

My name is.....

House or Box No.....

City and State.....

Paste this slip on back of 1c post card. Address card to:  
STROMBECK-BECKER MFG. CO.  
MP DEPT. Moline, Ill.