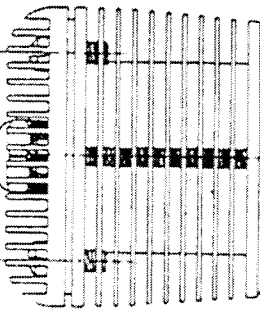
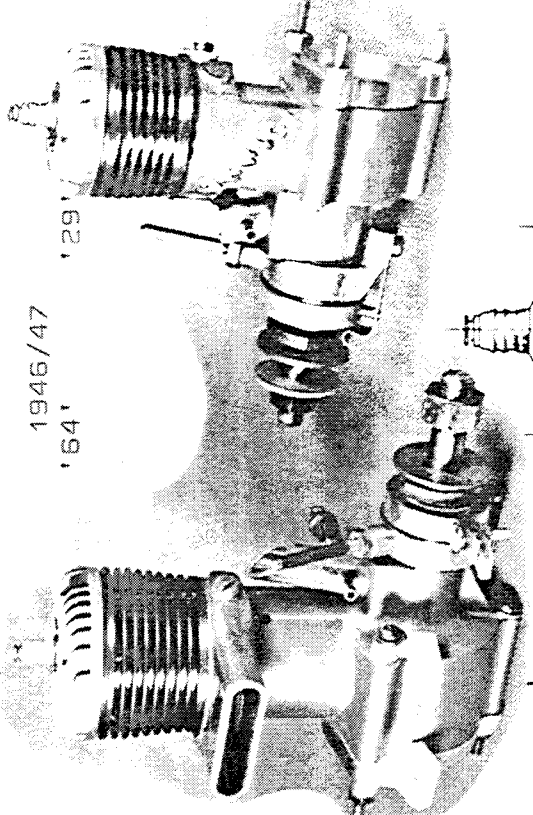
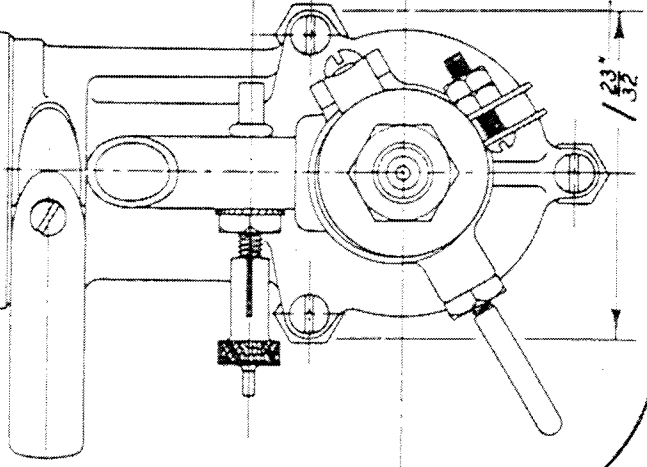


1946/47  
'64'



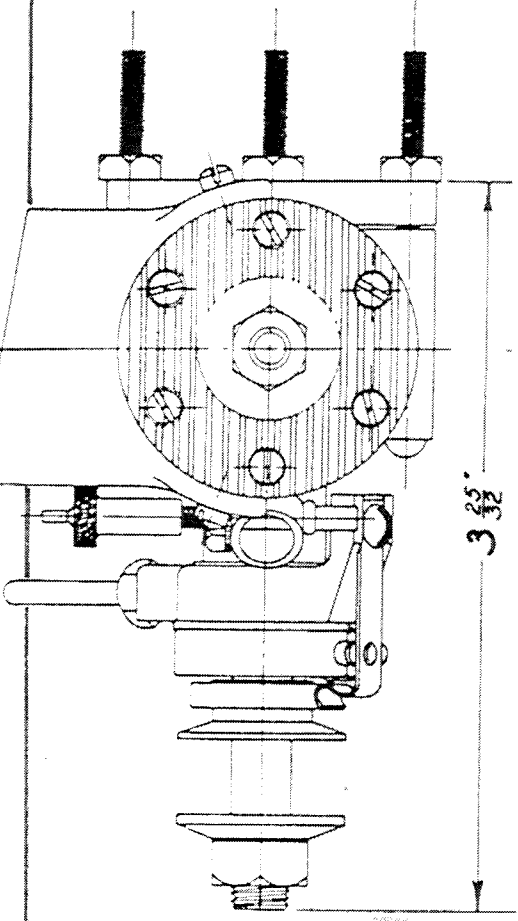
1946 - 1947  
**ORWICK**  
**ENGINES**  
.64 CU. IN. DISPLACEMENT  
FULL SIZE



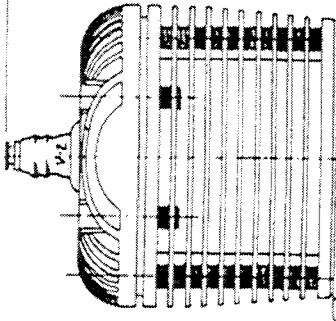
$\frac{23}{32}$ "

$\frac{13}{16}$ "

$\frac{5}{16}$ " DIA.

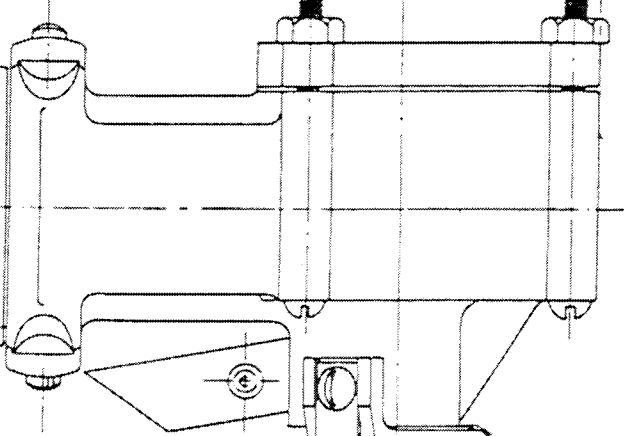


$3\frac{25}{32}$ "



$3\frac{3}{4}$ "

$4\frac{3}{4}$ "



JRM