

### HESTON RACER SPECIFICATIONS

ENGINE	24 CYL. H LIQUID COOLED
	NAPIER SABRE, 2350 H.P. ON TAKE OFF
FUEL CAPACITY	73 GALS.
OIL CAPACITY	15½ GALS.
WEIGHT LOADED	2200 LBS.
WING LOADING	43 LBS./SQ. FT.
WING AREA	1676 SQ. FT.
WING SPAN	32.04'
LENGTH	24.6'
TOP SPEED (EST.)	480 M.P.H.
ENDURANCE	10 MINS.

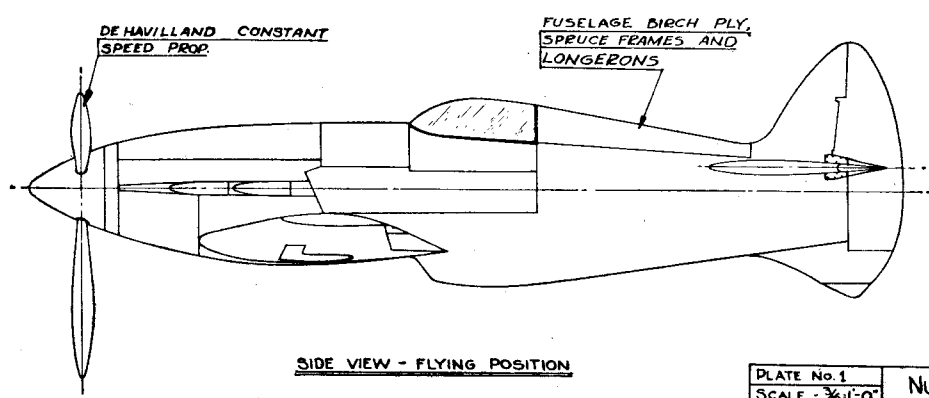
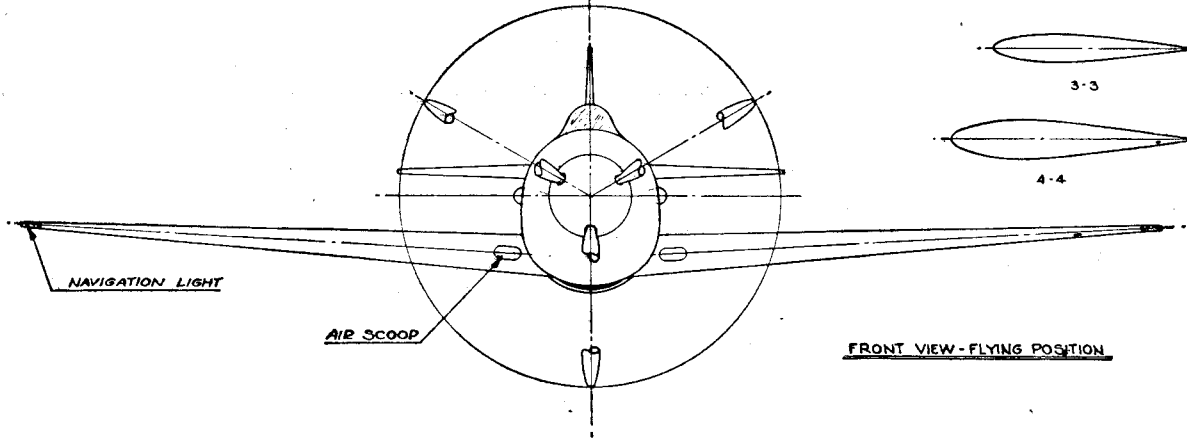
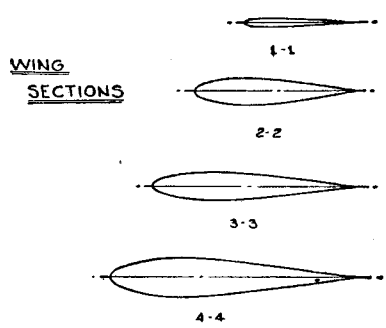
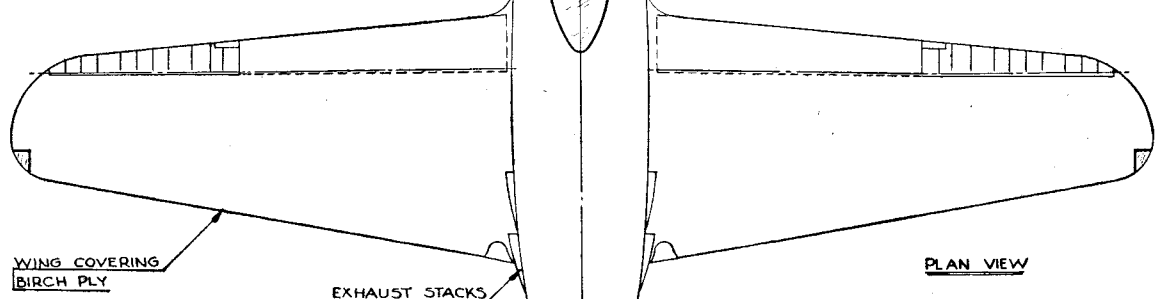
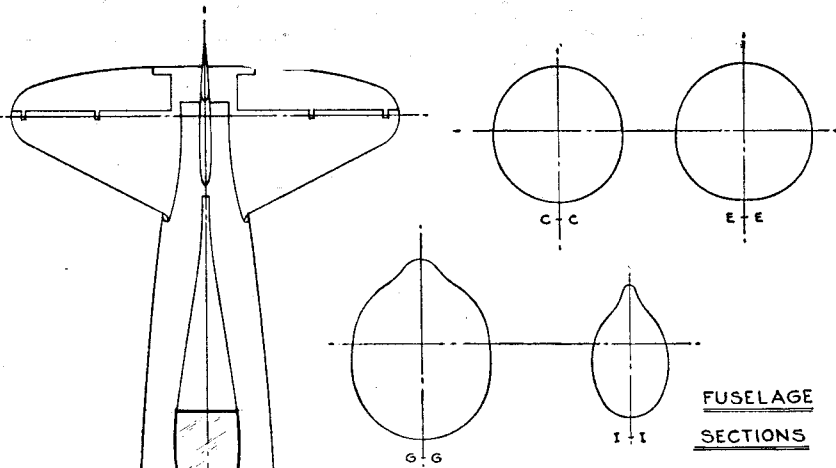
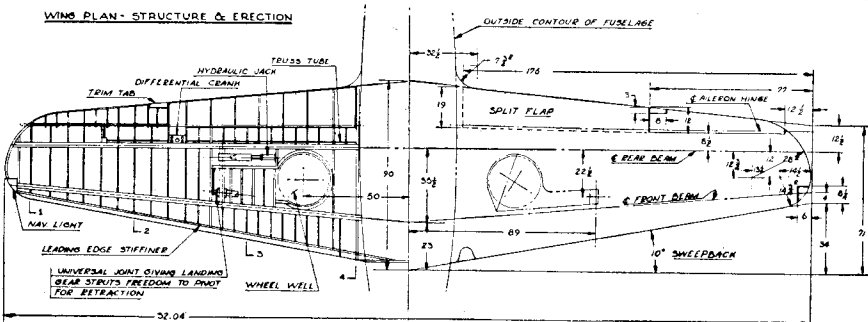
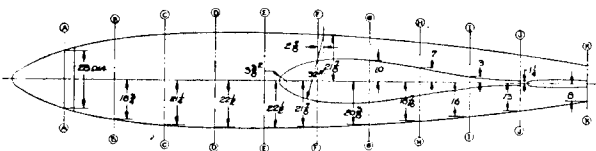


PLATE No. 1  
SCALE - 3/16" = 1'-0"  
DRAWN BY -  
LEONARD WIECZOREK

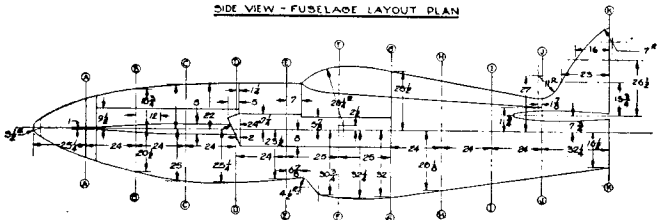
NUFFIELD NAPIER  
HESTON RACER



**TOP VIEW - FUSELAGE LAYOUT PLAN**

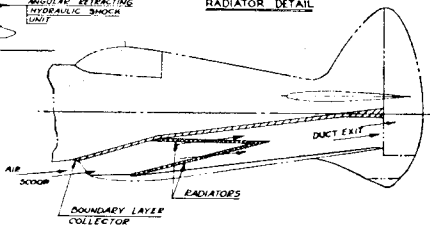


**SIDE VIEW - FUSELAGE LAYOUT PLAN**

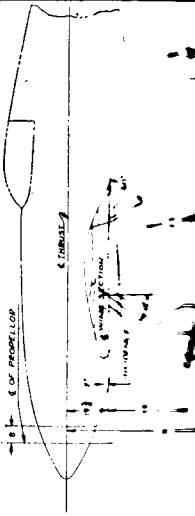
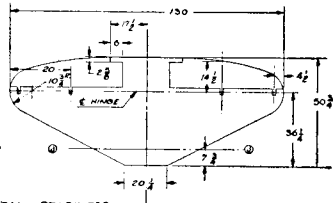


INDICATED EXTENDING  
HYDRAULIC SMOCK  
UNIT

**RADIATOR DETAIL**



**HORIZONTAL STABILIZER  
DETAIL**



**WING LOCATION DETAIL**

**RUDDER**

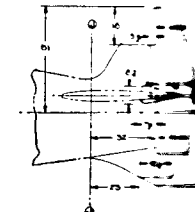


PLATE NO. 2  
SCALE 3/4"=1'-0"  
DRAWN BY  
LEONARD WIECZOR

MUFFEL  
MESTER